

MASTER 40 Horizontal Batch Freezer

The horizontal batch freezers called MASTER is the new latest product introduced in our range. It is a professionally advanced and user-friendly machine with appealing looking, allowing gelato chefs reach their target.

Free-standing machine for medium large specific needs for gelato chefs. Designed for those who desire to open a gelato shop.

Refrigeration

Equipped with hermetic compressor: 5200BTU/hr R404A France Tecumseh, a full copper custom condenser, has a strong cooling effect.

Temperature/Humidity

The ranges of MASTER are available with air cooling with R404A gas refrigeration and climatic class °C/RH%, TEMPERATURE 40°C, HUMIDITY 60%.

Defrosting

In case of freezing defrost mode allows to re-start production very quickly.

Display

User-friendly touchscreen display, 3 automatic programs and manual mode.

Auto-induction

When we choose fast gelato program, we can make small quantity of gelato.

Exterior

Designed and produced by ourselves, the quality is guaranteed; The evaporator freezing cylinder is integrated, and the cooling effect is good; The cylinder block is 304 stainless steel.

Cleaning function

The device has a faucet for easy cleaning.

Company Introduction

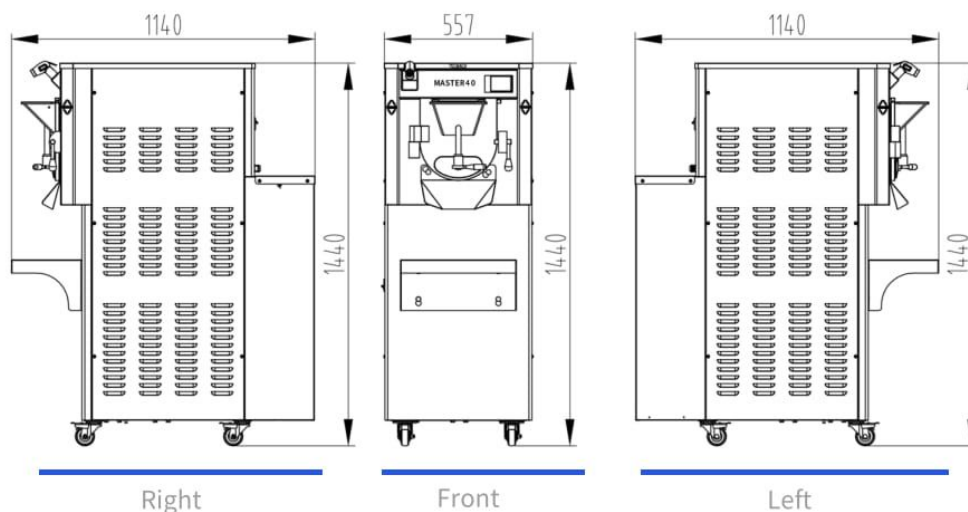
Qingdao Easy Best Refrigeration Equipment Co., Ltd. funded by Easy Best International Holdings Ltd. in China in 2005, a wholly Italian owned subsidiary, Is a manufacturer of Gelato refrigeration equipment.

Our key products are Gelato machinery equipment and soft gelato machines, full range of refrigeration equipment which focus on medium to high-end markets.

We use Italian and European advanced technologies and imported compressors from Europe, we devote ourselves to the customers with our professional solutions and services.

MASTER 40

Horizontal Batch Freezer



Basic parameters

Height	1440 mm
Width	557 mm
Depth	1140 mm
N.W.	270 Kg
G.W.	300 Kg
Capacity	20 L
Input	3 L-10.5 L
Hourly Production	35 L-40 L

*Ingredients temperature 4°C
 *Environment temperature 40°C
 *With air cooling system

Electrical specifications

Voltage	380-400 V
Frequency	50 Hz
Standard Power	4.1 Kw
Circuit breaker	63 A
Toal amps	11 A

Water pipe connection

Air cooling (Water in)	
Fitting	3/4 " (22mm) Ø

Company Introduction

Qingdao Easy Best Refrigeration Equipment Co., Ltd. funded by Easy Best International Holdings Ltd. in China in 2005, a wholly Italian owned subsidiary, Is a manufacturer of Gelato refrigeration equipment.

Our key products are Gelato machinery equipment and soft gelato machines, full range of refrigeration equipment which focus on medium to high-end markets.

We use Italian and European advanced technologies and imported compressors from Europe, we devote ourselves to the customers with our professional solutions and services.

